

HAKKO IRON HOLDER (No. C1437)

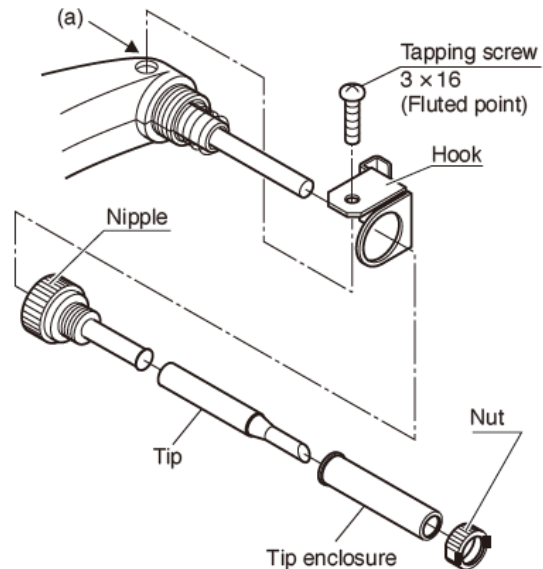
1. Attaching the hook to the HAKKO 951/952/FX-8803

1. Remove the nut, tip enclosure, tip and nipple.

CAUTION

Be sure to remove the nut before removing the nipple. Removing the nipple first could cause the heater leads to twist and cause a short circuit.

2. Remove the tapping screw (a) and attach the hook.
3. Secure the hook with attached 3 x 16 (fluted point) screw.
4. Reassemble in reverse order.



2. Assemble the iron holder

1. Attach the holder mounting plate (c) to the iron holder base (b).
When assembling, use the attached pan head screw M4 x 35, plain washer (nominal size 4), external tooth lock washer, and wing nut (M4). Match the convex part of the holder mounting plate to the concave part of the iron holder base.
2. Attach the holder cover (d).
Attach the holder cover to the holder mounting plate with thumbscrew M4 x 8.
Adjust the angle by matching three holes of the holder cover with concave part of holder mounting plate.

3. Wet the cleaning sponge (e) and squeeze it dry.

CAUTION

Using a dry sponge may result in damage to the soldering tip.

4. Attach the hook of HAKKO 951 / 952 / FX-8803 to the holder cover.

CAUTION

The holder cover will become extremely hot. Do not touch it!

